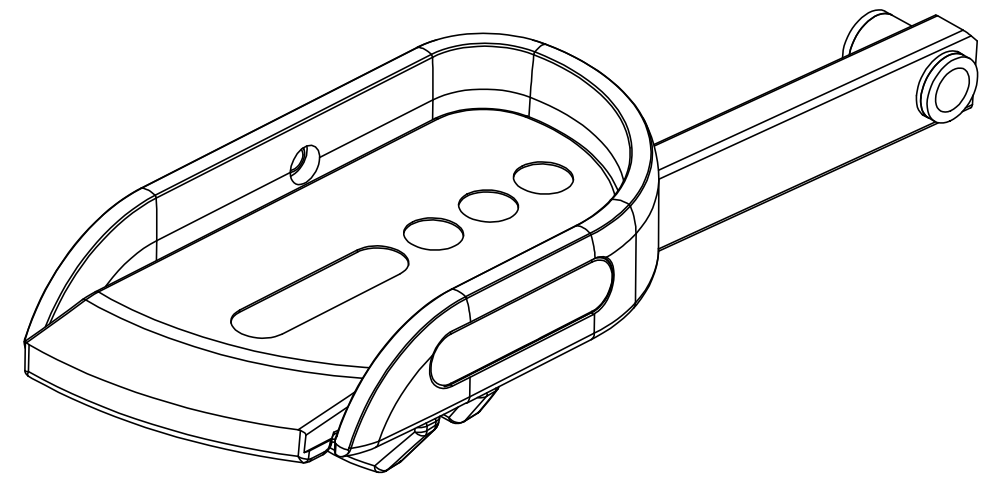
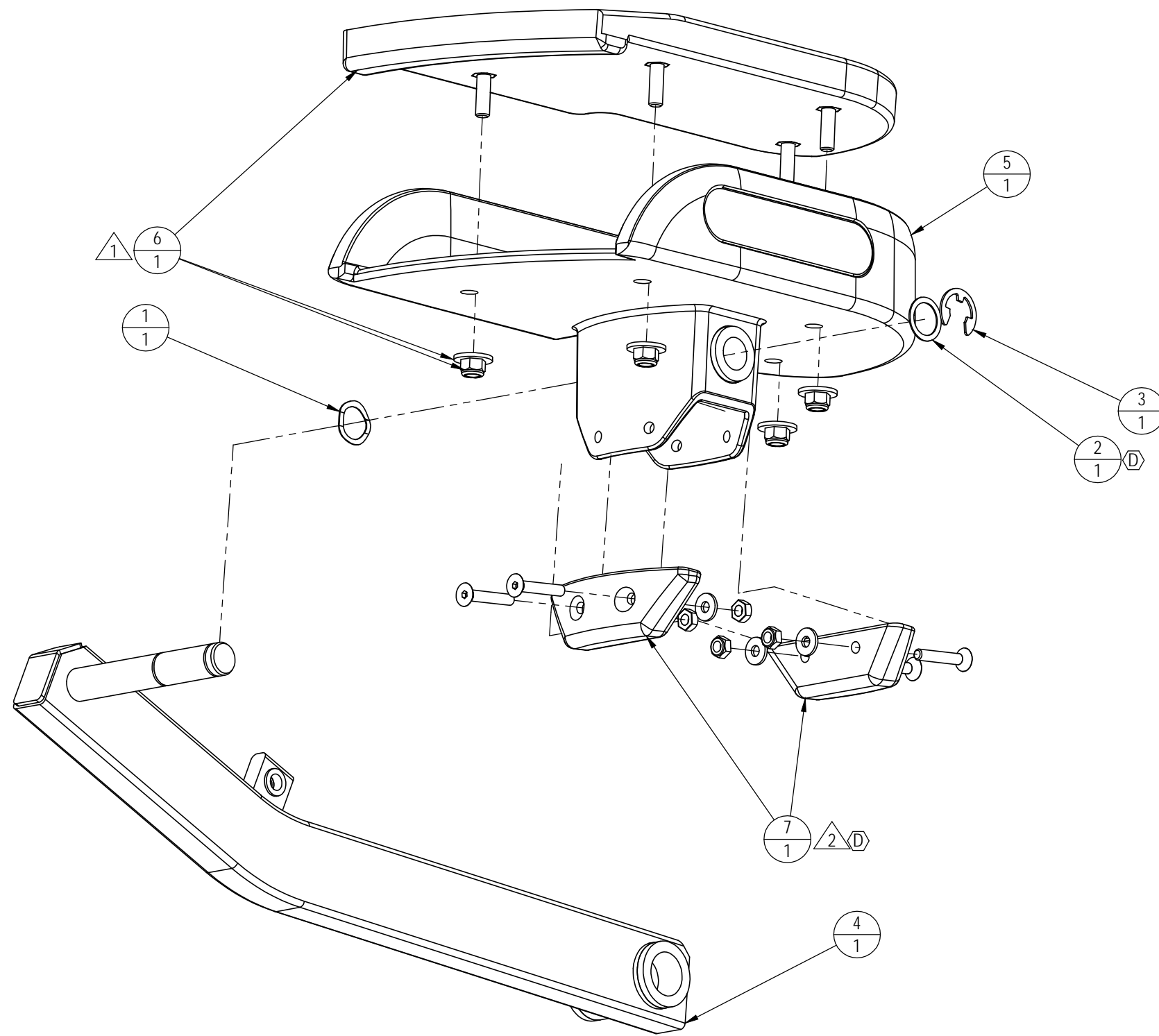


		REVISIONS		1	
REV.	DATE	DESCRIPTION	ECO	BY	
A	9/27/05	PRODUCTION RELEASE	11349	FP	
B	8/16/06	ADD P/N: <b>120-0505</b> , <b>120-3015</b> , <b>140-0940</b> ; DELETE P/N: 711-3175	11476	FJM	
C	04-29-09	ADD TORQUE SPEC OF 120 IN-LB TO NOTE 1	12089	SCN	
D	10-21-09	CHG QTY OF <b>120-3015</b> WAS 2 IS 1; ADD NOTE #2	12301	SCN	

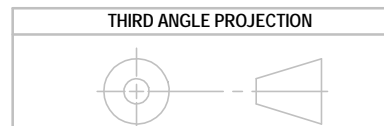


ITEM NO.	PART NO.	DESCRIPTION	QTY.
1	<b>120-0505</b>	WASHER, WAVE 3/4" ID	1
<sup>D</sup> 2	<b>120-3015</b>	STEEL SHIM, .75ID X 1.125 OD	1
3	<b>140-0940</b>	E-CLIPS, 3/4" ID	1
4	711-3173-02	ASSY, PEDAL ARM, W/BUSHING, RIGHT	1
5	<b>711-3174-02</b>	ASSY, PEDAL, W/BUSHING, RIGHT	1
6	711-3176-02	KIT, PEDAL PAD, RIGHT	1
7	711-3177	KIT, PEDAL STOPS, 5100 STEPPER	1

**DOCUMENT STATUS:  
RELEASE**

- NOTES <sup>D</sup>
- TORQUE TO 120 IN-LB/ 10 FT-LB/ 13.6 Nm
  - TIGHTEN HARDWARE SNUGLY TO RUBBER PADS WITHOUT DEFORMING RUBBER

NOTICE OF PROPRIETARY INFORMATION  
THIS DOCUMENT SHALL NOT BE REPRODUCED NOR SHALL THE INFORMATION CONTAINED HEREIN BE USED BY OR DISCLOSED TO OTHER EXCEPT AS EXPRESSLY AUTHORIZED BY UNISEN INC, D.B.A. STAR TRAC.



MATERIAL  
SEE BOM

FINISH  
N/A

VENDOR:

P/N:

UNLESS OTHERWISE SPECIFIED DIMENSIONS ARE IN INCHES. TOLERANCES ARE:  
DECIMALS ANGLES  
X. = ±.13  
X.X = ±.05  
X.XX = ±.03  
X.XXX = ±.010

DRAWN FP 09-15-05  
CHECKED  
APPROVED

U.O.M. INCH

UNISEN, INC. DBA  
**STAR TRAC**  
14410 Myford Road  
Irvine CA 92606

STARTRAC PART NO. **711-1045-02** REV **D**

TITLE  
**PEDAL ARM, RIGHT, STEPPER**

SCALE: 1:3 | SHEET 1 OF 1 | SHEET SIZE: B